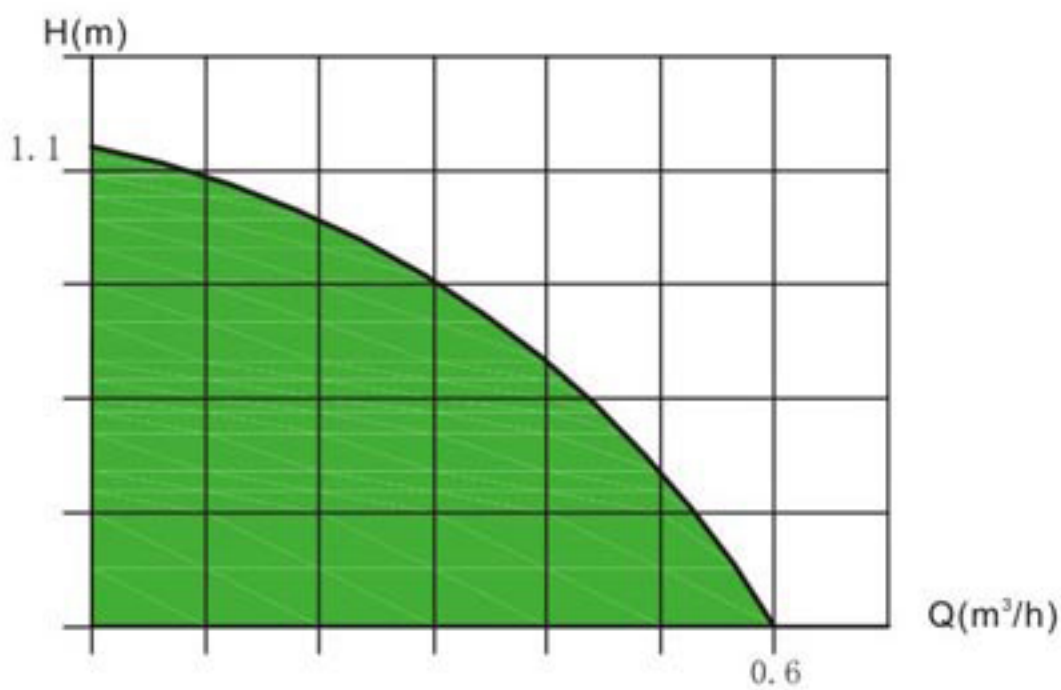
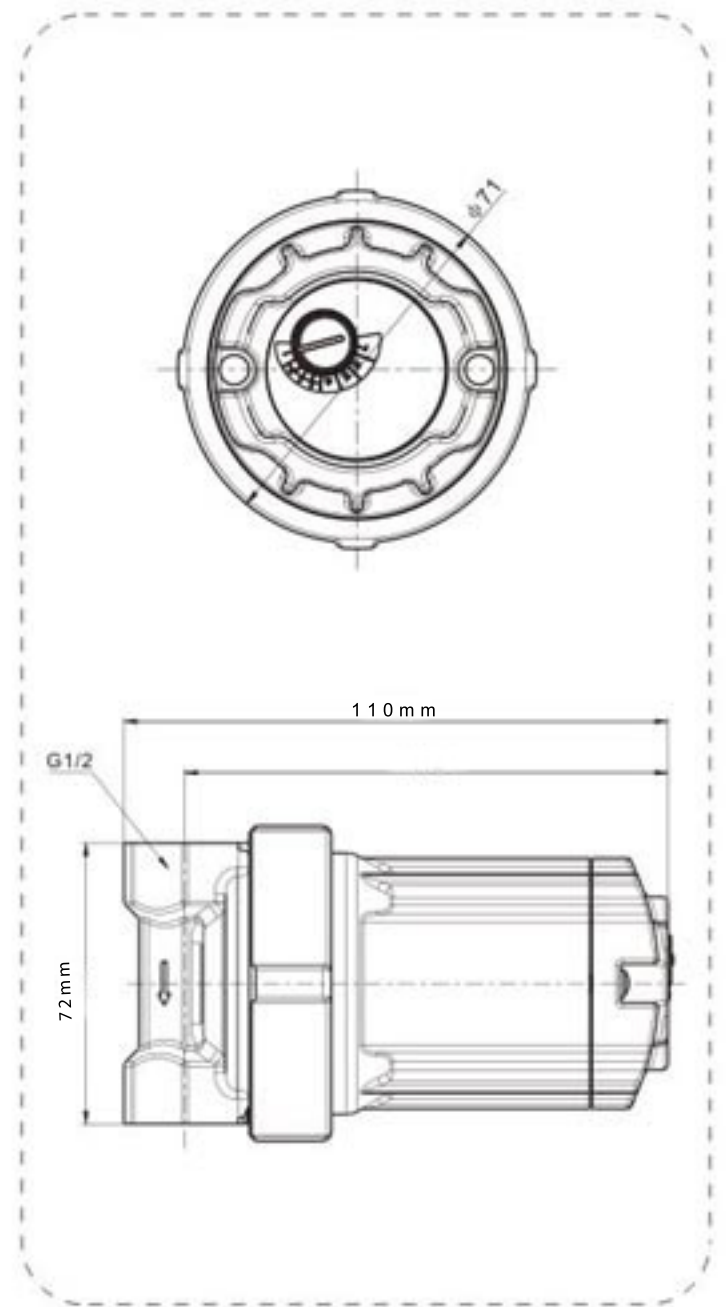


▶ RS12/1.2EM Series High efficiency Intelligent water treatment



Model	Power(W)	Max Flow(L/min)	Max Head(m)	Inlet/Outlet(inch)
RS12/1.2EM	9	10	1.1	1/2"