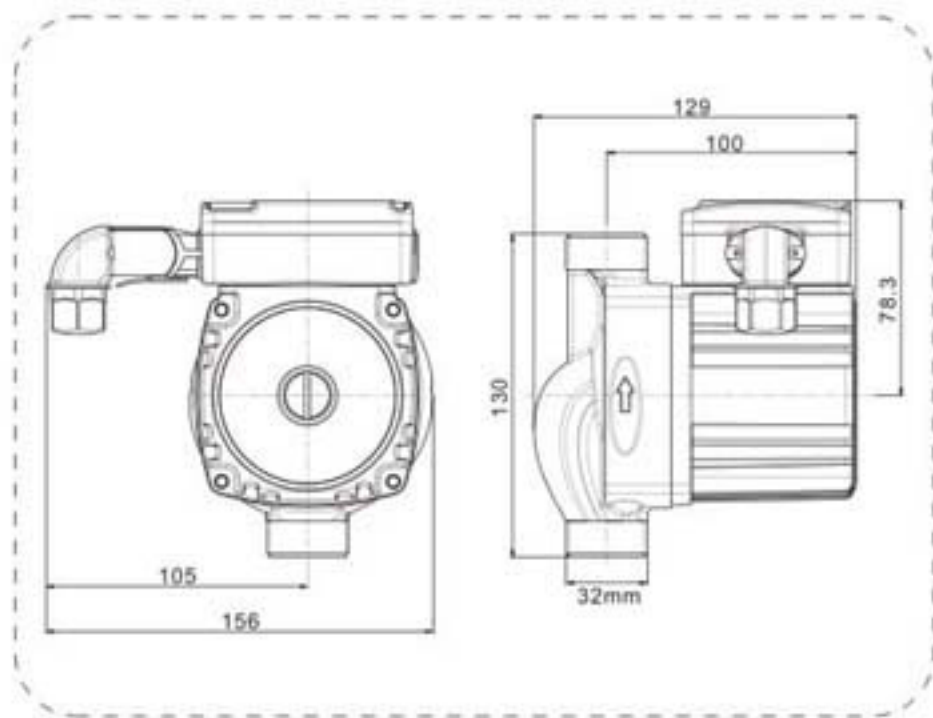
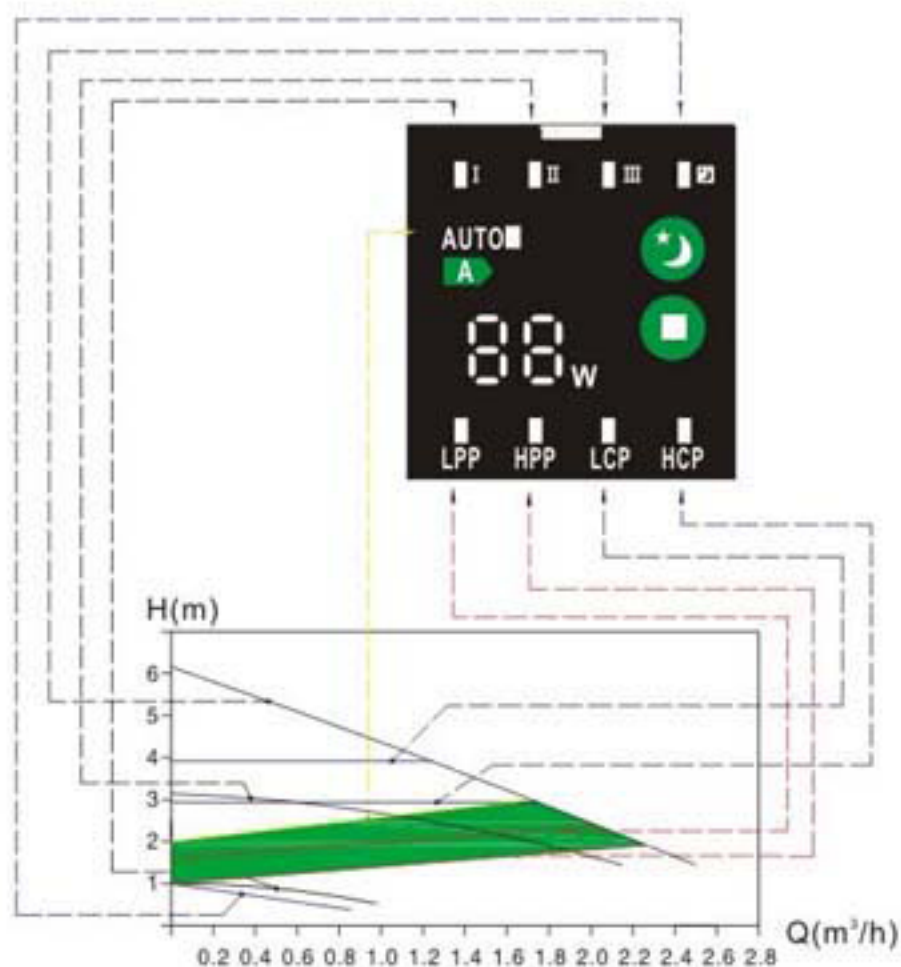
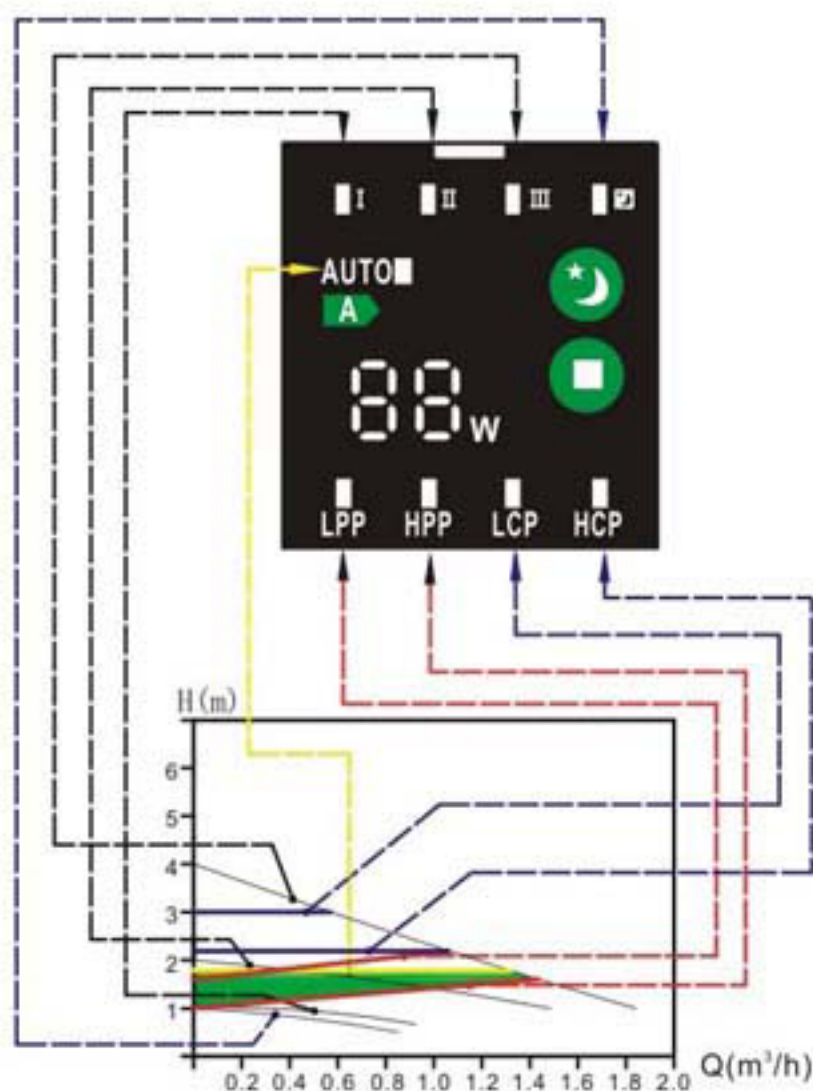


EAA Series High efficiency Intelligent water treatment



RS15/4EAA

RS15/6EAA



Model	Power(W)	Max Flow(L/min)	Max Head(m)	Inlet/Outlet(inch)
RS15/4EAA	22	30	4	1"
RS15/6EAA	45	41.5	6	1"